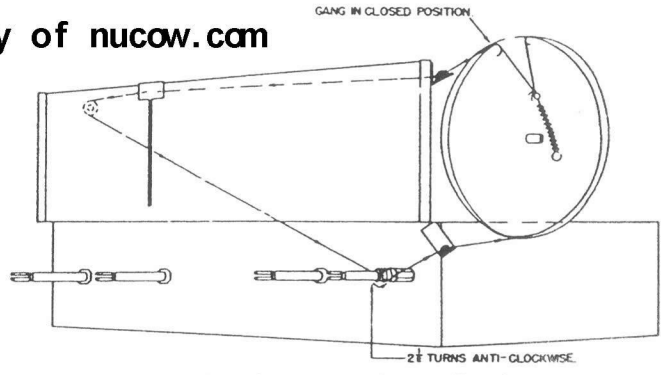
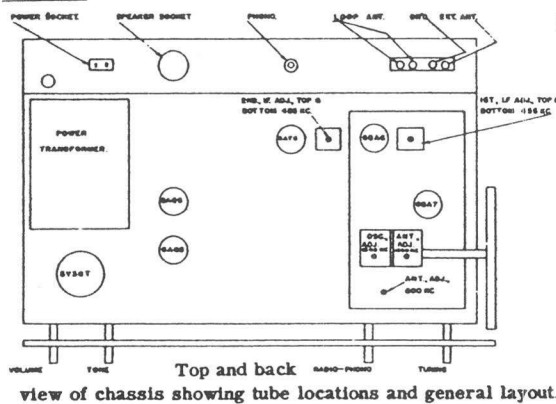


Courtesy of nucow.com



Dial cord arrangement. — Fig. 2

ALIGNMENT PROCEDURE

All tuned circuits in this receiver have been accurately adjusted at the factory, and any further adjustment should not be necessary. If, however, any re-alignment should later be required, the procedure outlined in the Chart of Alignment, Figure 3, should be followed in the order shown.

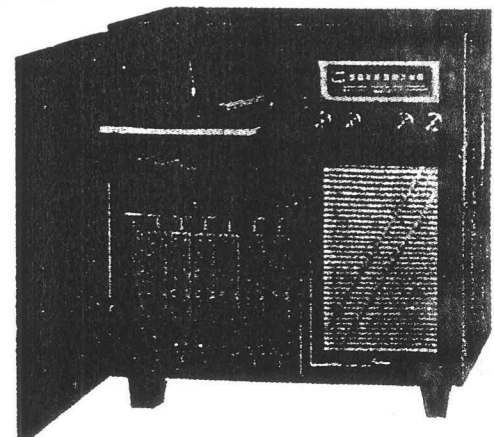
Output Meter - Connect meter leads to the voice coil terminals of the Speaker, and turn the receiver volume control to maximum.

Test Oscillator or Signal Generator - For all alignment operations connect the ground side of the test apparatus to the receiver chassis, and keep the output of the test generator as low as possible to avoid A.V.C. action in the receiver.

Alignment Sequence	Test Oscillator			Adjust	Dial set at
	Frequency	In series with	to		
1	455 KC.	.05 mfd.	Antenna Terminal.	1st and 2nd I.F.	1600 KC.
2	600 KC.	200 mmf.	Antenna.	Antenna coil iron core.	600 KC.
3	1500 KC.	200 mmf.	Antenna.	Oscillator trimmer.	1500 KC.
4	1500 KC.	200 mmf.	Antenna.	R.F. trimmer.	1500 KC.

Figure 3.

NOTE:- Loop Antenna should be connected to receiver during alignment procedure.



ADDISON

MODELS - 49, 49-S and 59-3

VOLUME AND TONE CONTROLS

Circuit Designation	Value	Mfrs. No.	JRC No.	AEROVOX No.
33	500k	27-10		
34	2 Meg.	27-11	13-139	

CAPACITORS

Circuit Designation	Value	Mfrs. No.	JRC No.	AEROVOX No.
36A, B	Tuning Gang	15-10		
48	.01 600V pp.		684	
49	.02 600V pp.		684	
50	.05 400V pp.		684	
51	.002 600V pp.		684	
54	35 mfd. ceramic		20%	1468
55	100 mfd. ceramic		20%	1468
56	350 mfd. ceramic		20%	1468
56A, B	Capacitor	18-10		
59A, B, C	50-30-30 mfd.	18-11	PR7480	
	450-400-350V			

MISCELLANEOUS

Circuit Designation	Value	Mfrs. No.	JRC No.	AEROVOX No.
40	I.F. Trans.	23-13		
41	Power Trans. 600		1010	
42	Power Trans. 250		1011	
45	Ant. Coil	29-10		
47	Osc. Coil	29-11		
92	Output Trans.	23-10		
94	Speaker 10" PM	24-10		

*Special. Tap at 30 ohms. Order from Addison.

VOLUME AND TONE CONTROLS

Circuit Designation	Value	Mfrs. No.	JRC No.	AEROVOX No.
R16	2 Meg.	M76J165-27	13-139X	
			Sw.No.	21

CAPACITORS

Circuit Designation	Value	Mfrs. No.	JRC No.	AEROVOX No.
C1	470 mfd.		1468	
C2, C36, C67	.01 mfd. pp.		684	
C3	3 mfd. ceramic	K63J985-15	1468	
C4, C10, C64	47 mfd. ceramic	K39J365-7070	1468	
C5	15.3 mfd. ceramic	K63J985-11	1468	
C6, C7, C14, C16	Tuning Gang	P747146-1		
C8, C9, C25, C29	.05 mfd.		484	
C10, C65	10 mfd. pp.		1468	
C11	11.7 mfd. ceramic	K39J365-62	1468	
C17	22 mfd. ceramic	K63J985-14	1468	
C18	10 mfd. ceramic	K39J365-7009	1468	
C19	6 mfd. ceramic	K39J365-124	1468	
C24, C51, C39, C50, C2	0.02 mfd. pp.		684	
C26	.002 mfd. pp.		684	
C27, C28, C34, C56, C7	mmfd.		1468	
C35, C66	.002 mfd. pp.		684	
C37	20.5 mfd. ceramic	K63J985-4	1468	
C40	.005 mfd. pp.		684	
C41, C43, C65, C70, C2	0.02 mfd. pp.		684	
C42, C55, C58	470 mfd.		1468	
C48L, B, C, D	75-50-75-75 mfd.		1468	
C52, C53, C54	53 mfd.		1468	
C57, C72	.005 mfd. pp.		684	
C60, C71	.01 1000V pp.		1468	
C61	470 mfd. ceramic		1468	
	Electrolytic			

MISCELLANEOUS

MODELS - C-124

VOLUME AND TONE CONTROLS

Circuit Designation	Value	Mfrs. No.	JRC No.	AEROVOX No.
R11	2 Meg.	M8533651-2	13-139X	
R20	50k	M8533644-3	13-123	
			Sw.No.	21

CAPACITORS

Circuit Designation	Value	Mfrs. No.	JRC No.	AEROVOX No.
C1A, B, C	Tuning Gang	M8533685-1		
C9, C10, C15, C29	100 mfd.		1468	
C11, C14, C16	.05 mfd. pp.		484	
C12	.08 mfd. pp.		484	
C13	.05 mfd. pp.		484	
C17, C22	.01 mfd. pp.		684	
C18, C20	.005 mfd. pp.		684	
C19, C21	330 mfd.		1468	
C23A, B	.002 mfd. pp.		684	
C24, C	50 mfd. 150V	K8531607-10	PR7150	
C25, C27	.025 mfd. pp.		684	
C28	.1 mfd. pp.		484	
C29	5 mfd. ceramic	K63J985-15	1468	

MISCELLANEOUS

Circuit Designation	Value	Mfrs. No.	JRC No.	AEROVOX No.
L2	Osc. Coil	M8533680-1		
L3	R.F. Coil	M8533619-1		
T1	1st. I.F. Trans.	M850168-4		
T2	2nd. I.F. Trans.	M8530168-1		
T2	Output Trans.	M8533645-1	Special	
	Speaker 8" PM	IR961ED-1		P8V

VOLUME AND TONE CONTROLS

Circuit Designation	Value	Mfrs. No.	JRC No.	AEROVOX No.
R13	2 Meg.	M8533645-2	18-139X	
R23	50k	M8533644-3	13-123	
			Sw.No.	21

CAPACITORS

Circuit Designation	Value	Mfrs. No.	JRC No.	AEROVOX No.
C1	.025 mfd. pp.		684	
C2	100 mfd.		1468	
C3A, B, C4, C5	Tuning Gang			
C6, C18	.05 mfd. pp.		484	
C11, C13, C16	10 mfd. 150V	9784088	PR7150	
C14	.007 mfd. pp.		684	
C15	.007 mfd. pp.		684	
C19	.002-.005 mfd.		1468	
C20	.1 mfd. pp.		684	
C21A, B	40 mfd. 150V		484	
C22	.08 mfd. pp.		684	
C23	.025 mfd. pp.		684	
C24	.01 mfd. pp.		684	
C25	47 mfd.		1468	

MISCELLANEOUS

Circuit Designation	Value	Mfrs. No.	JRC No.	AEROVOX No.
L1	Loop Assy.	M8533734-3		
L2	Osc. Coil	M8533684-1		
T1	1st. I.F. Trans.	M8534090-1		
T2	2nd. I.F. Trans.	M8530148-1		
T3	Output Trans.	M8531646-12		
T4	Flt. Trans. 25/600	M8533734-1		
L31	Speaker 8" PM	IR961ED-1		

VOLUME AND TONE CONTROLS

Circuit Designation	Value	Mfrs. No.	JRC No.	AEROVOX No.
L1, 4, 9	Tuner Frms Assy.	K66J866-1		
L2	C357-48			
L3, 5, 7	FM R.F. Choke	M73J933-4		
L6	FM Osc. Coil	K33J179-4		
L8	FM Osc. Choke	M73J933-13		
L10	FM Line Choke	P74J223-1		
T1	B.C. RF Coil	P64J838-3		
T2	1st. I.F. Trans.	P64J838-4		
T3	2nd. I.F. Trans.	P64J838-6		
T4	3rd. I.F. Trans.	M76J461-1		
T5	Discrim. Trans.	M8533628		
T6	Output Trans.	IR5585-9		
	Speaker for C357			
	Speaker for C125			

VOLUME CONTROL

Circuit Designation	Value	Mfrs. No.	JRC No.	AEROVOX No.
R3 (C141)	500k	K69J11	13-133	
R4 (C143)			Sw. No.	22

CAPACITORS

Circuit Designation	Value	Mfrs. No.	JRC No.	AEROVOX No.
C1A, C2A	Tuning Gang	M8533872-1		
C5 (C143)	100 mfd. 6V	K69J90-2		
C10A, B, C, D	Ceramic comb.	K68J128-1		
C12A, B, C (C143)	40-40-200 mfd.		PR7150	
C13 (C141)	150-150-20V	K68J776-2		
C14 (C141)	Ceramic comb.	K68J128-1		
C12 (C141)	10 mfd. 100V	K69J90-1		
	.2 mfd. pp.		284	
	.1 mfd. pp.		524	
	.002 mfd. pp.		684	
	.05 mfd. pp.		484	
	.025 mfd. pp.		684	

MISCELLANEOUS

Circuit Designation	Value	Mfrs. No.	JRC No.	AEROVOX No.
L1	Ant. Loop	P74J666		
SR (C143)	Selenium Rect.	K68J102-2		
T1	1st. I.F. Trans.	M850168-4		
T2	2nd. I.F. Trans.	M8530168-2		
T3	Output Trans.	K68J866		
	Speaker 4" PM	C143-13		P4V

VOLUME CONTROL

Circuit Designation	Value	Mfrs. No.	JRC No.	AEROVOX No.
R11	500k	M76J150-5	13-133	

CAPACITORS

Circuit Designation	Value	Mfrs. No.	JRC No.	AEROVOX No.
C2A, B	Tuning Gang	M8534084-1		
C6	.025 mfd. pp.		684	
C10, C11	100 mfd.		1468	
C16	.05 mfd. pp.		484	
C17, C20	330 mfd.		1468	
C19	.01 mfd. pp.		684	
C23A, B	.003 mfd. pp.		684	
C19	50 mfd. 150V	K8531607-6	PR7150	
C25	220 mfd.		1468	
	47 mfd. ceramic	K39J365-7011	1468	

MISCELLANEOUS

Circuit Designation	Value	Mfrs. No.	JRC No.	AEROVOX No.
T1	1st. I.F. Trans.	M8533807-1		
T2	2nd. I.F. Trans.	M8533808-2		
L1	Beak and Loop	M8533804-2		
T3	Output Trans.	K66J899		
T4	Osc. Coil	P74J217-1		
	Speaker 4" PM	TR9400C-16		P4V